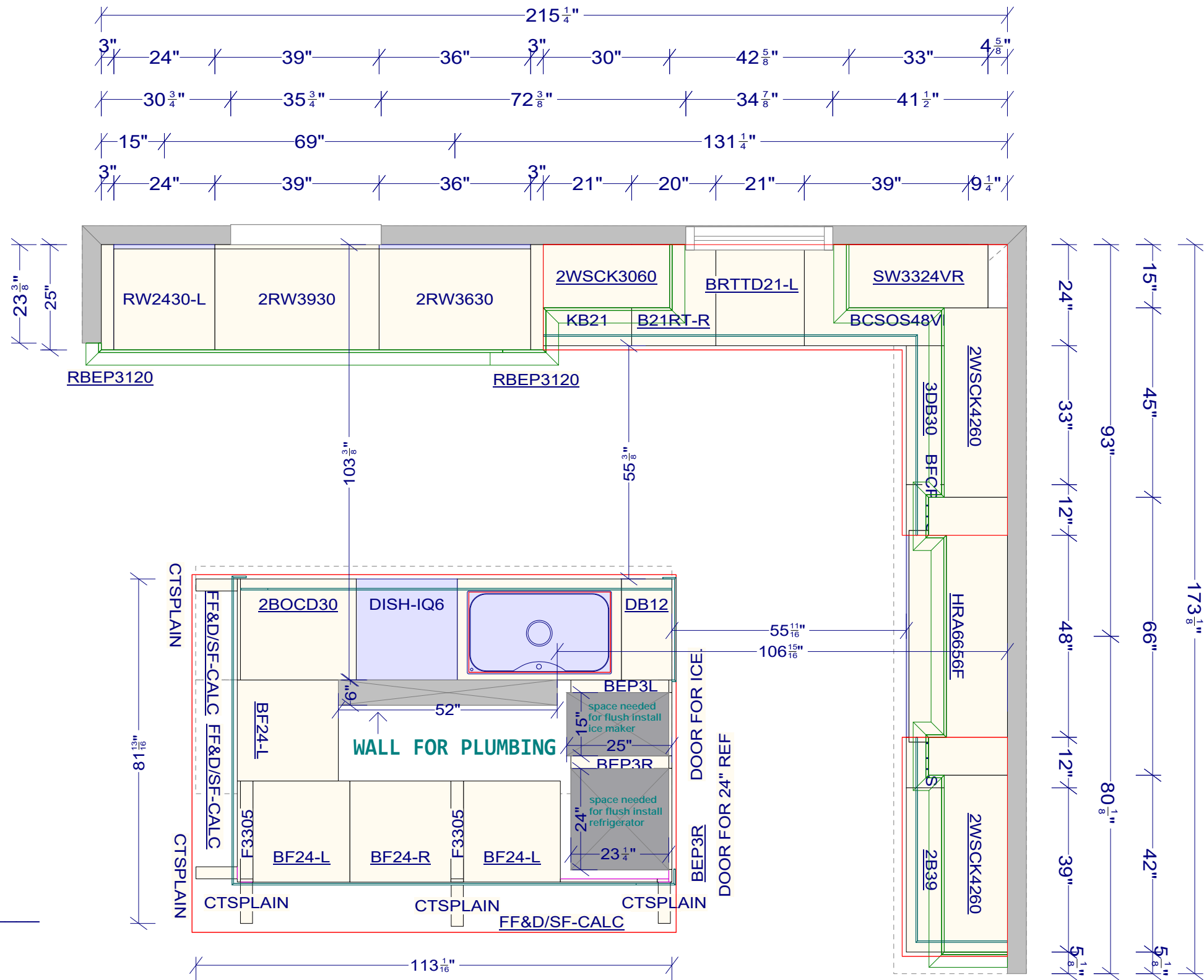


# KITCHEN - STARMARK CABINETS

THE WOODLANDS - TX - 77380

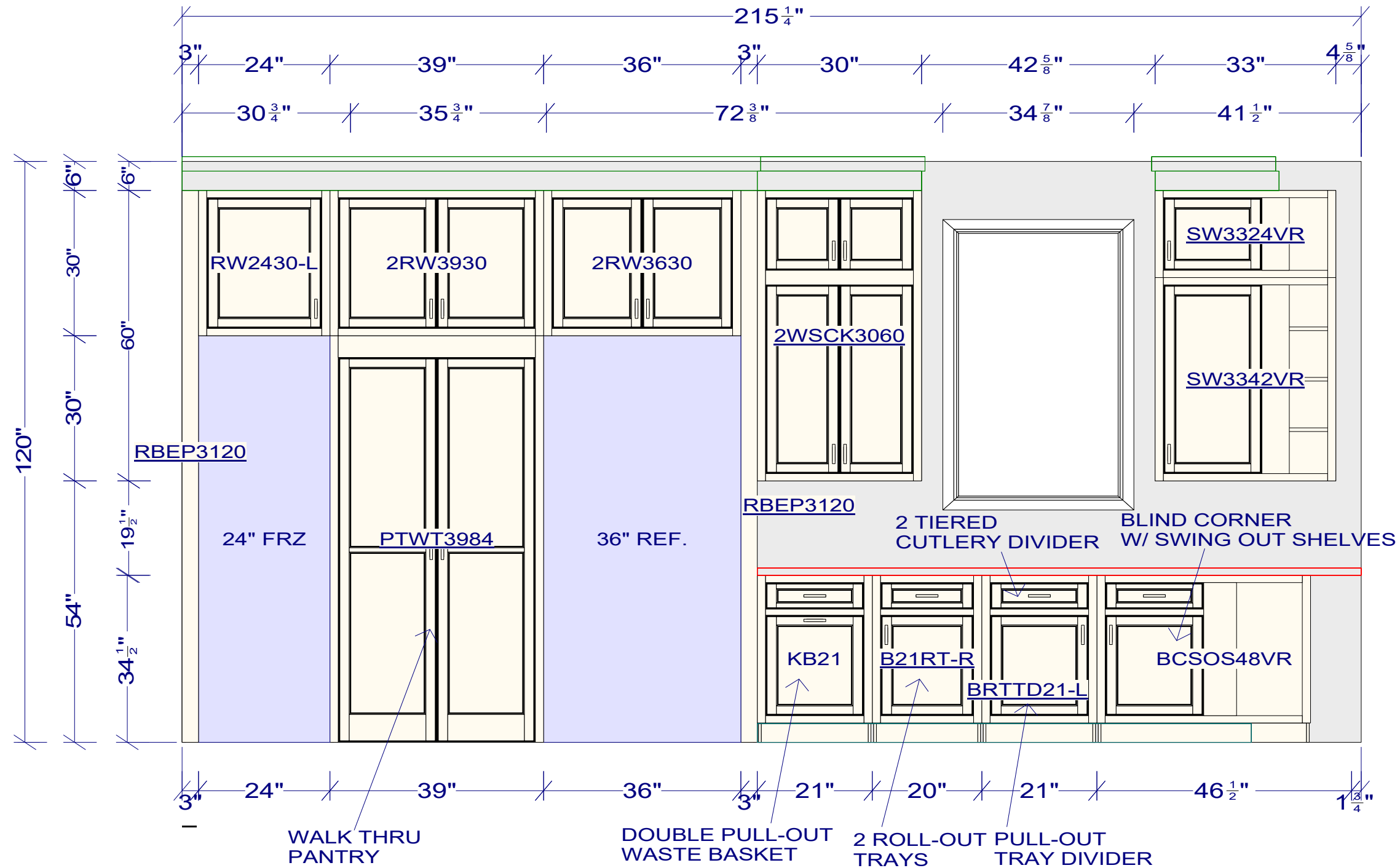


DATE: \_\_\_\_\_

SIGNATURE: \_\_\_\_\_

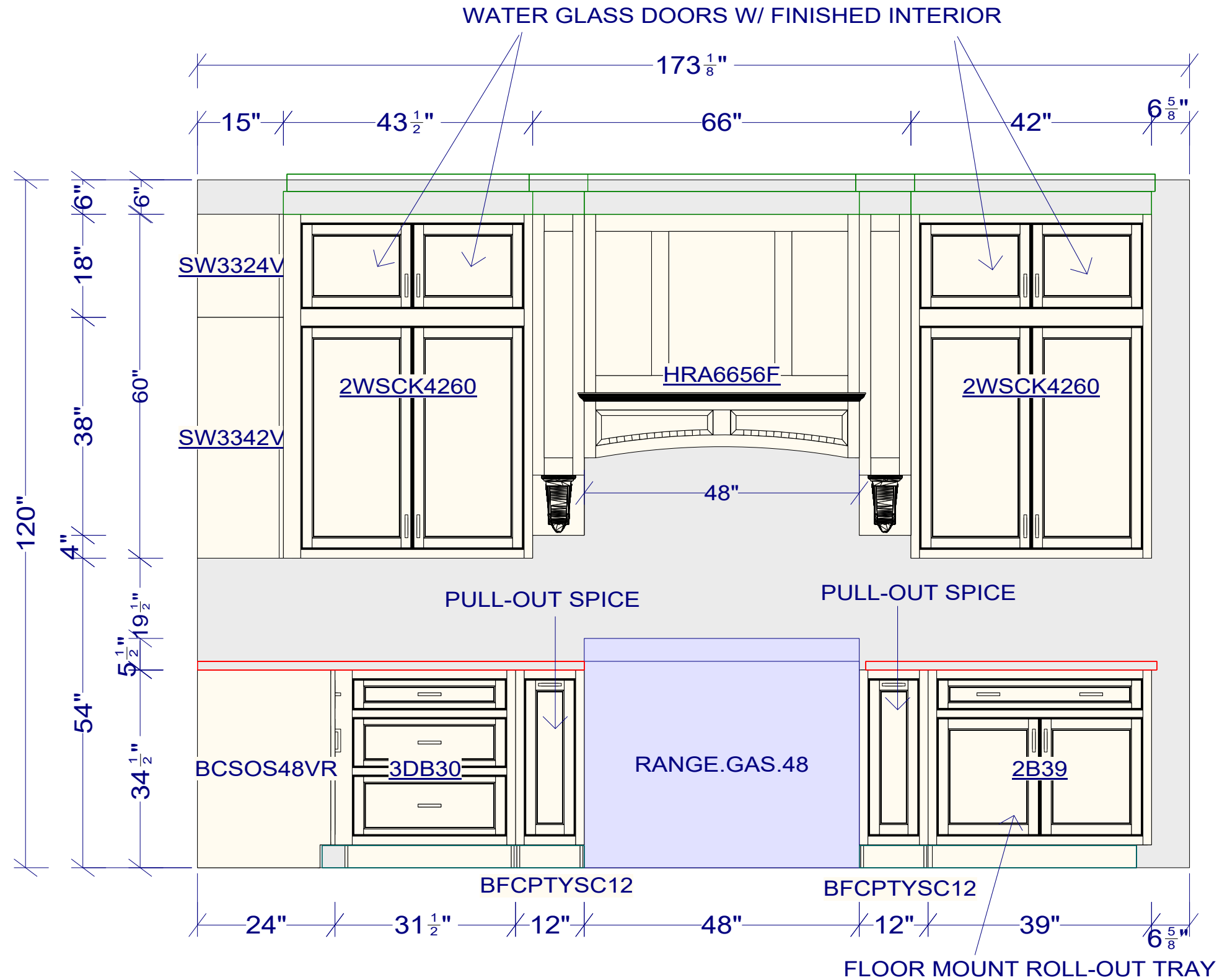
# KITCHEN - STARMARK CABINETS

THE WOODLANDS - TX - 77380



# KITCHEN - STARMARK CABINETS

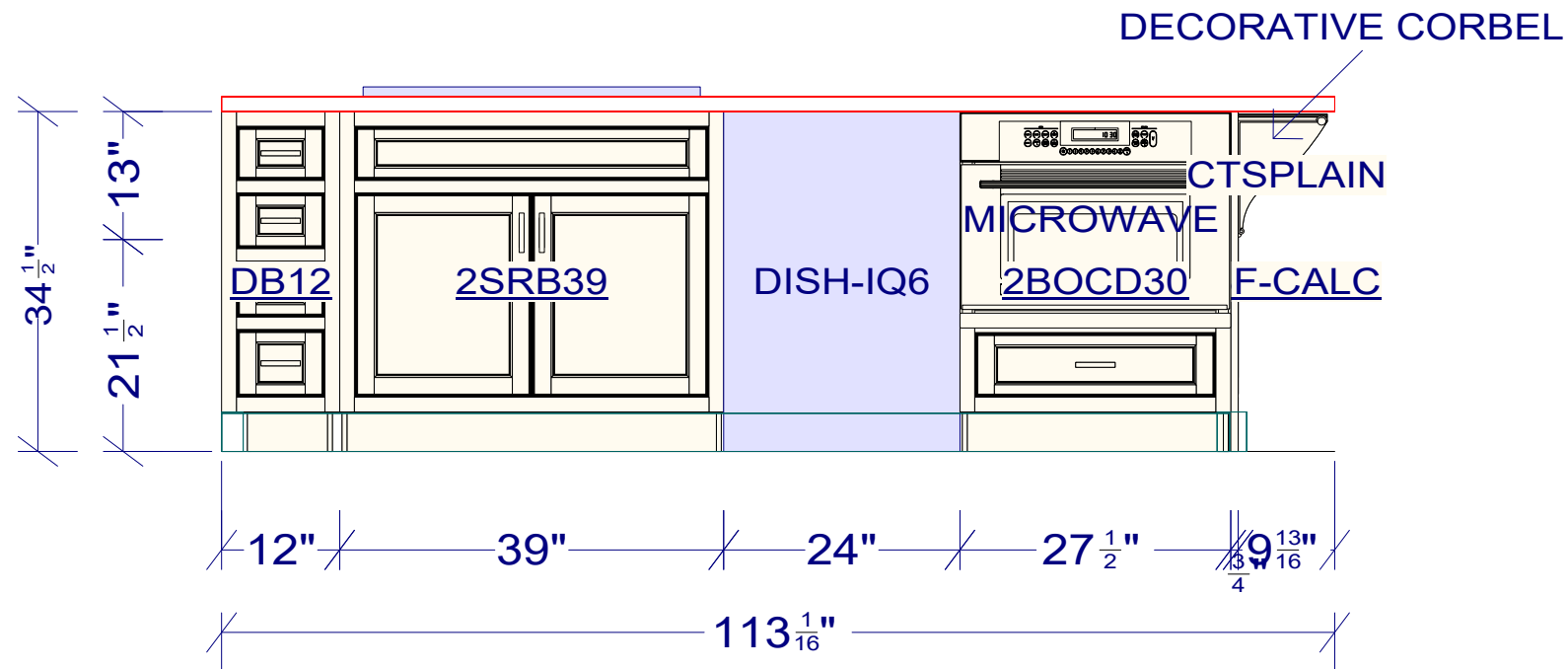
THE WOODLANDS - TX - 77380



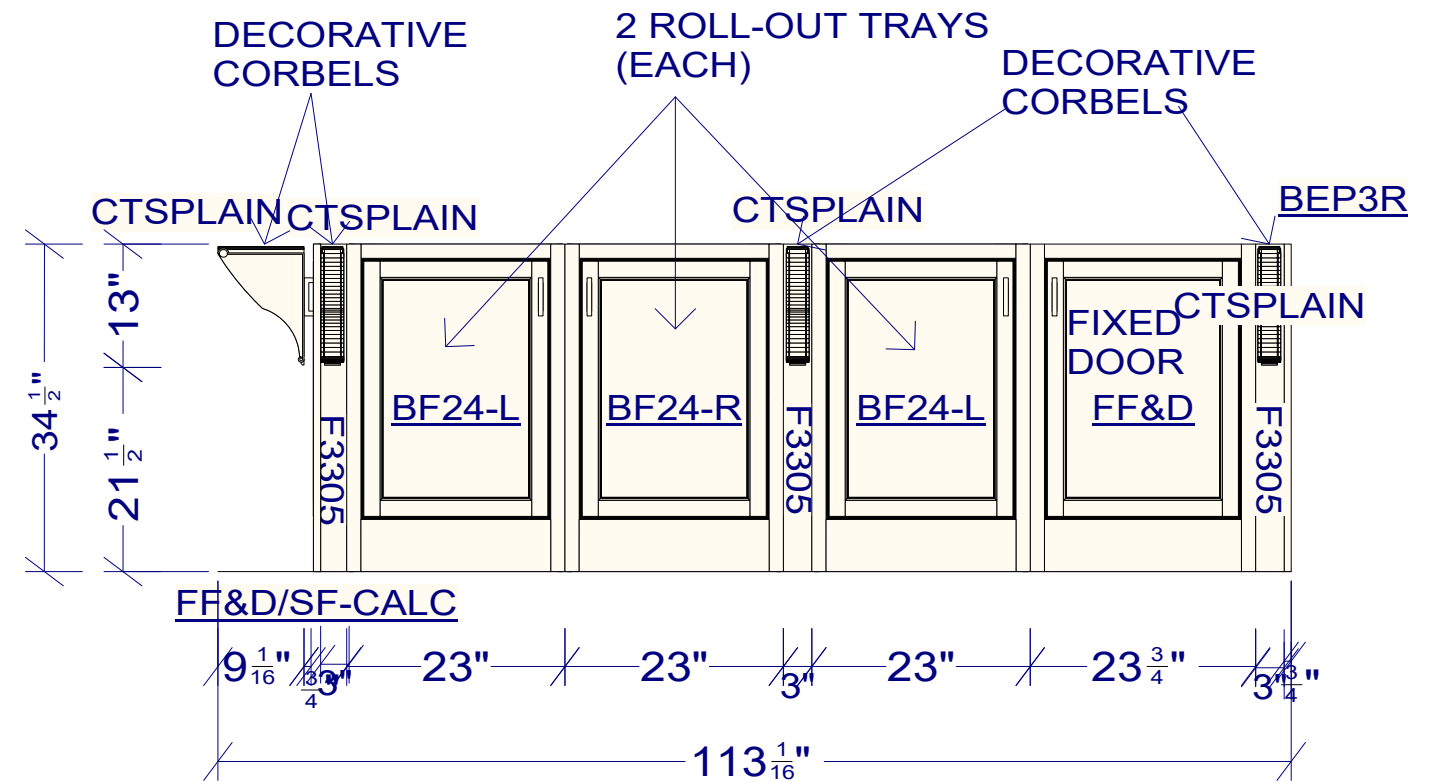
# KITCHEN - STARMARK CABINETS

THE WOODLANDS - TX - 77380

## ISLAND FRONT



## ISLAND BACK



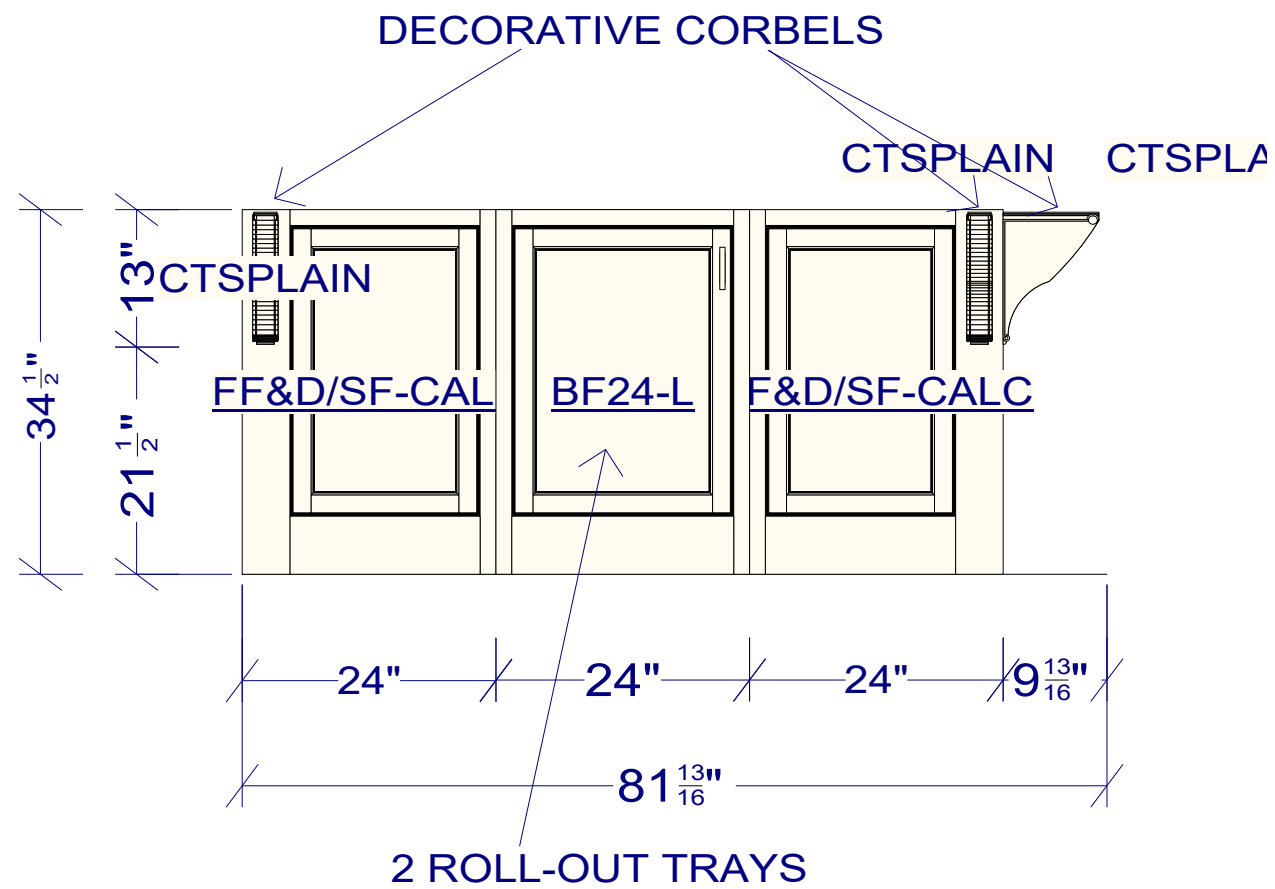
DATE: \_\_\_\_\_

SIGNATURE: \_\_\_\_\_

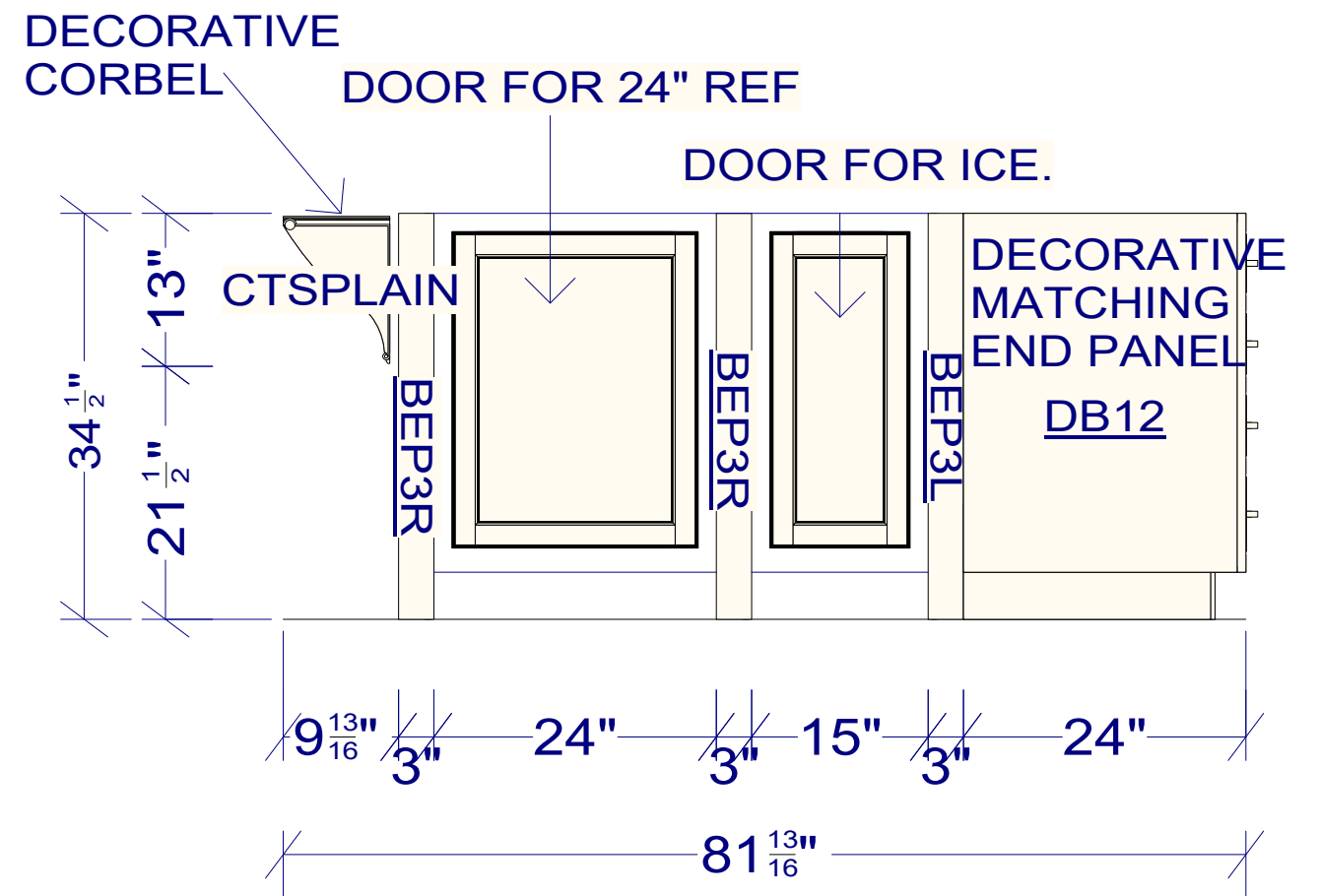
# KITCHEN - STARMARK CABINETS

THE WOODLANDS - TX - 77380

## ISLAND RIGHT SIDE



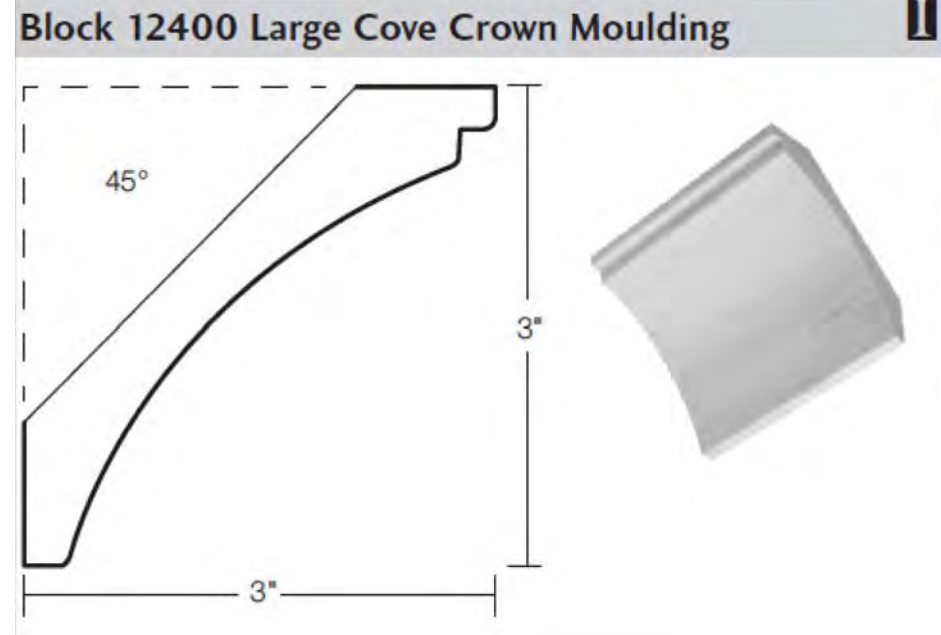
## ISLAND LEFT SIDE



DATE: \_\_\_\_\_

SIGNATURE: \_\_\_\_\_

**CROWN MOLDING DETAIL**



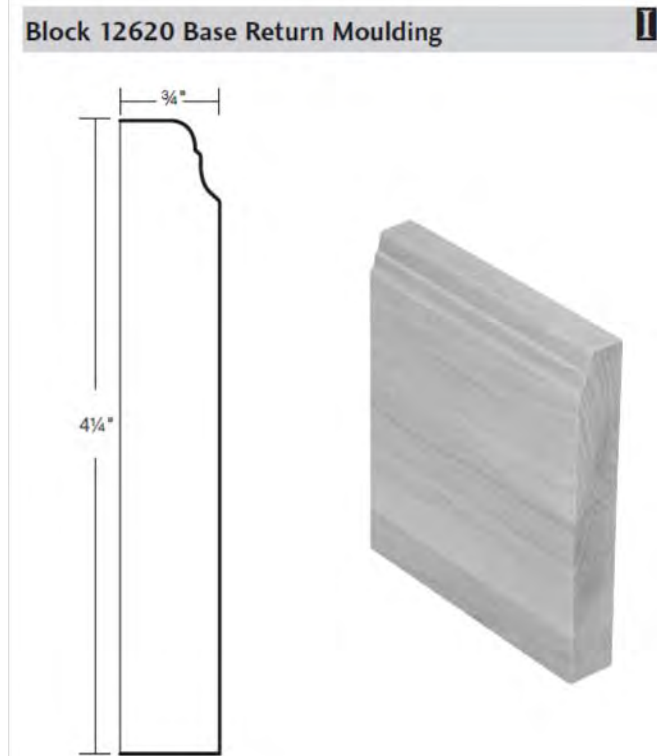
**DECORATIVE CORBELS AT ISLAND**



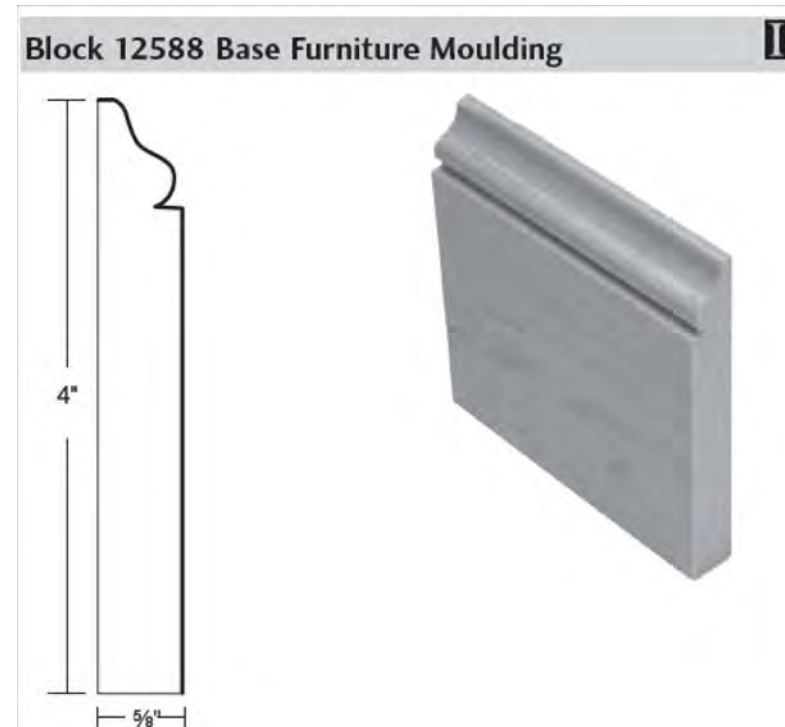
**DECORATIVE CORBELS AT WOOD HOOD**



**CROWN - SPACER MOLDING**



**BASE MOLDING AT ISLAND**



# BLIND CORNER ACCESSORY

## Block 3157 Blind Corner with Swing-out Shelf

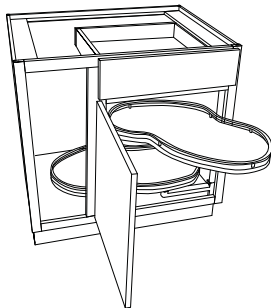
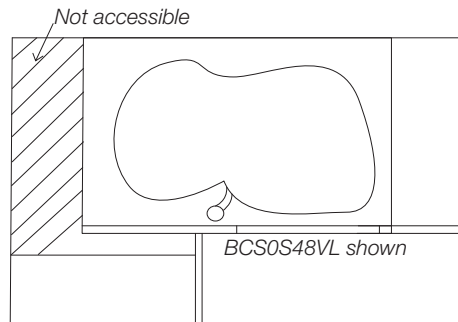


Illustration shows Void Left  
Void Left



Void Right

### DESIGN CONSIDERATIONS

#### 34 1/2" High - 24" Deep

- Shelves are wood with chrome rails with a non-skid surface
- Shelves swing out through opening individually
- BCSOS48 cabinet is 39" wide and is designed to be pulled to 48", maximum pull 49 1/4"
- BCSOS51 cabinet is 42" wide and is designed to be pulled to 51", maximum pull 52 1/4"
- See S-205 for Inset face frame openings.
- Swing out shelves will not extend fully if cabinet is installed next to a deeper cabinet or appliance.
- There will be 9" of space in the corner that will not be accessible.
- No modifications available

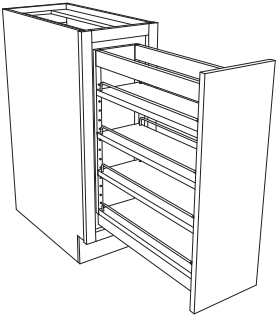
DATE: \_\_\_\_\_

SIGNATURE: \_\_\_\_\_



# BASE PULL OUT SPICE CABINET

## Block 3991 Pull Out Pantry with Soft Close



### DESIGN CONSIDERATIONS

34½" High - 24" Deep

- Pull out pantry attached to door
- Wood pantry with chrome railing with one fixed shelf and three adjustable shelves
- Dimensional modifications not available
- Includes soft close

### HOW TO ORDER

- See block 10150 for optional spice rack for top of pantry.
- Pricing P-161

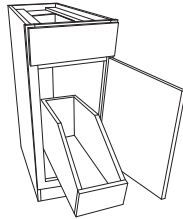
DATE: \_\_\_\_\_

SIGNATURE: \_\_\_\_\_

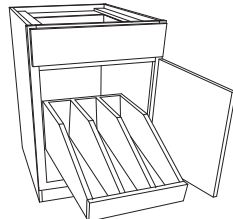


# PULL OUT TRAY DIVIDER

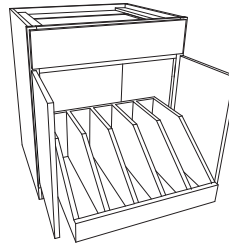
## Block 4020 Base with Roll Out Tray Divider



Single Door  
BRTTD12



Single Door  
BRTTD15  
BRTTD18  
BRTTD21  
BRTTD24



Butt Doors  
2BRTTD24  
2BRTTD27  
2BRTTD30  
2BRTTD33  
2BRTTD36

### DESIGN CONSIDERATIONS

**34½" High - 24" Deep**

- Roll out tray with dividers
- Number of sections based on cabinet width. See chart.
- Floor mounted full extension glides

### HOW TO ORDER

- Specify L or R hinging on Single Door cabinet
- Pricing P-164

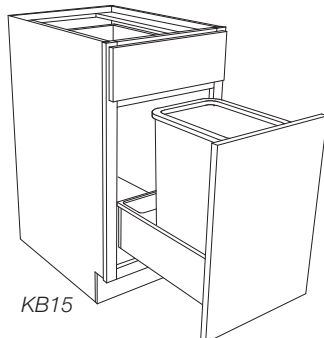
Cabinet Width	Roll tray sections
12"	1
15", 18", 21", 24"	3
27", 30", 33", 36"	5

DATE: \_\_\_\_\_

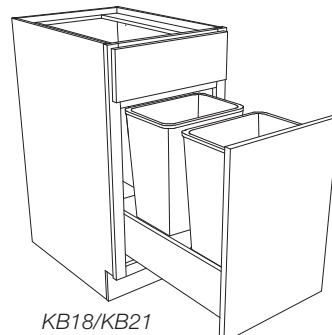
SIGNATURE: \_\_\_\_\_

# PULL OUT WASTE BASKET

## Block 4100 Kitchen Waste Basket



KB15



KB18/KB21

### DESIGN CONSIDERATIONS

#### 34½" High - 24" Deep

- Dovetailed wood bottom-mount basket attached to door
- KB15 has one 35 qt. gray colored plastic basket and a small bin for trash bag storage
- KB18 and KB21 have two 35 qt. gray colored plastic baskets
- Soft open and soft close mechanism
- Dimensional modifications not available
- Soft close hinges are not available on this cabinet.

### HOW TO ORDER

DATE: \_\_\_\_\_

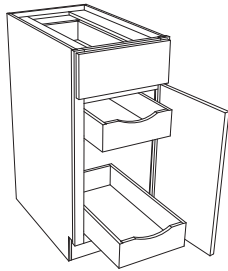
SIGNATURE: \_\_\_\_\_

# BASE WITH ROLL-OUT TRAYS

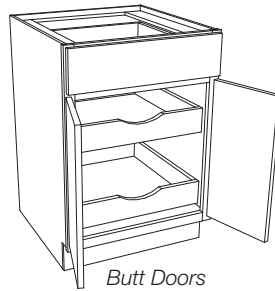
## Block 4010 Base with Roll Out Trays

**MORE  
SIZES**

**1**

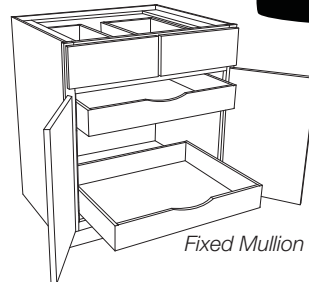


Single Door



Double Door

*Butt Doors*



Fixed Mullion

*Fixed Mullion*

### DESIGN CONSIDERATIONS

**34½" High - 24" Deep**

- 2 adjustable roll out trays
- Mullion attached to left door on Traditional overlay styles.
- Modern style doors will be butt doors.
- On Fixed Mullion cabinets, Modern door styles will have butt drawer headers.

### HOW TO ORDER

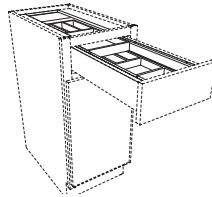
- Specify L or R hinging on Single Door cabinet

DATE: \_\_\_\_\_

SIGNATURE: \_\_\_\_\_

## 2 TIERED CUTLERY

### Block 10200 Cutlery Tiered Rack



#### DESIGN CONSIDERATIONS

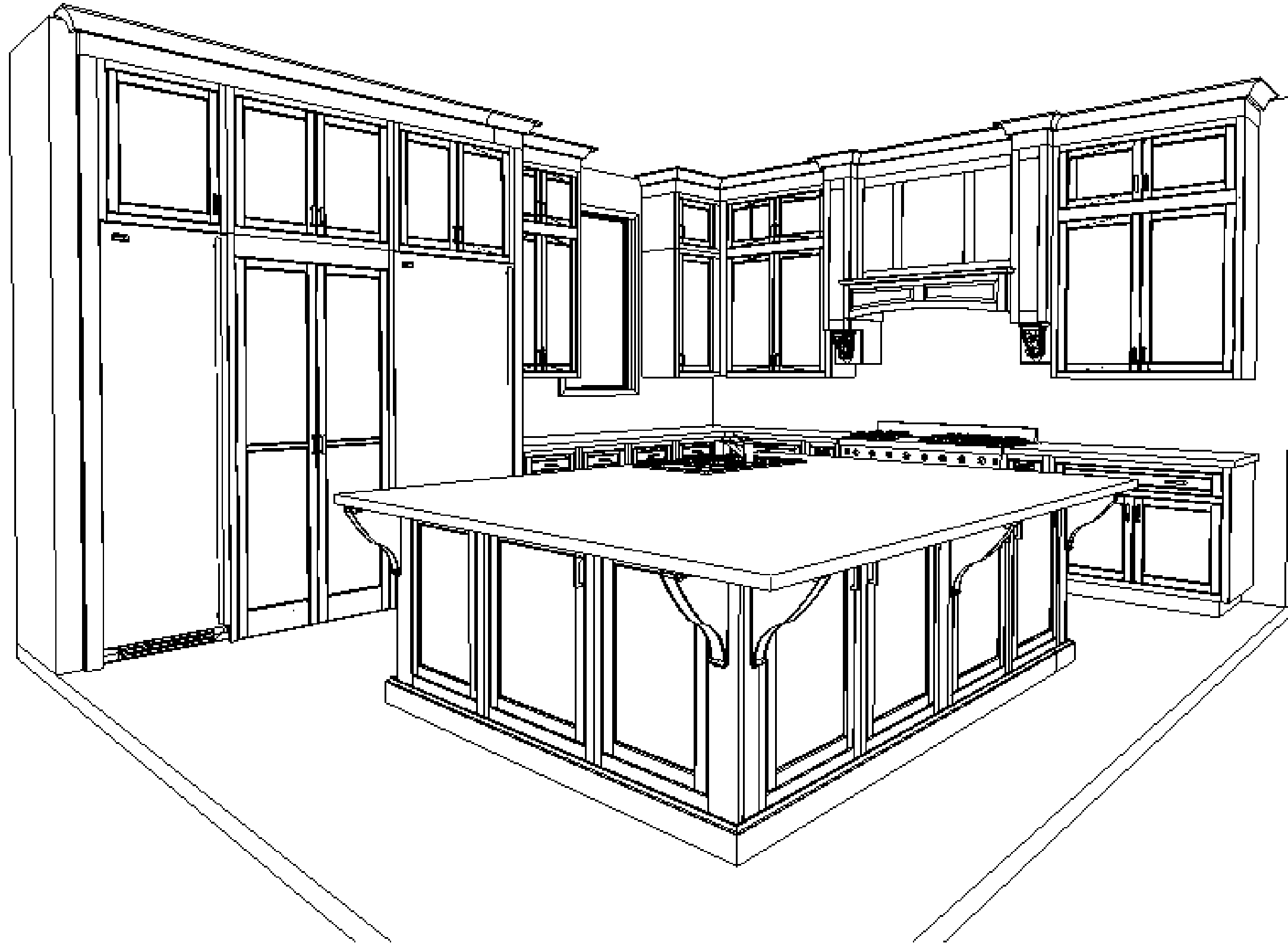
- 1/2" solid wood cutlery divider
- Top drawer rack slides back into cabinet
- Can be used in 24" deep bases
- No modifications

DATE: \_\_\_\_\_

SIGNATURE: \_\_\_\_\_

# KITCHEN - STARMARK CABINETRY

THE WOODLANDS - TX - 77380



# KITCHEN - STARMARK CABINETRY

THE WOODLANDS - TX - 77380



# KITCHEN - STARMARK CABINETRY

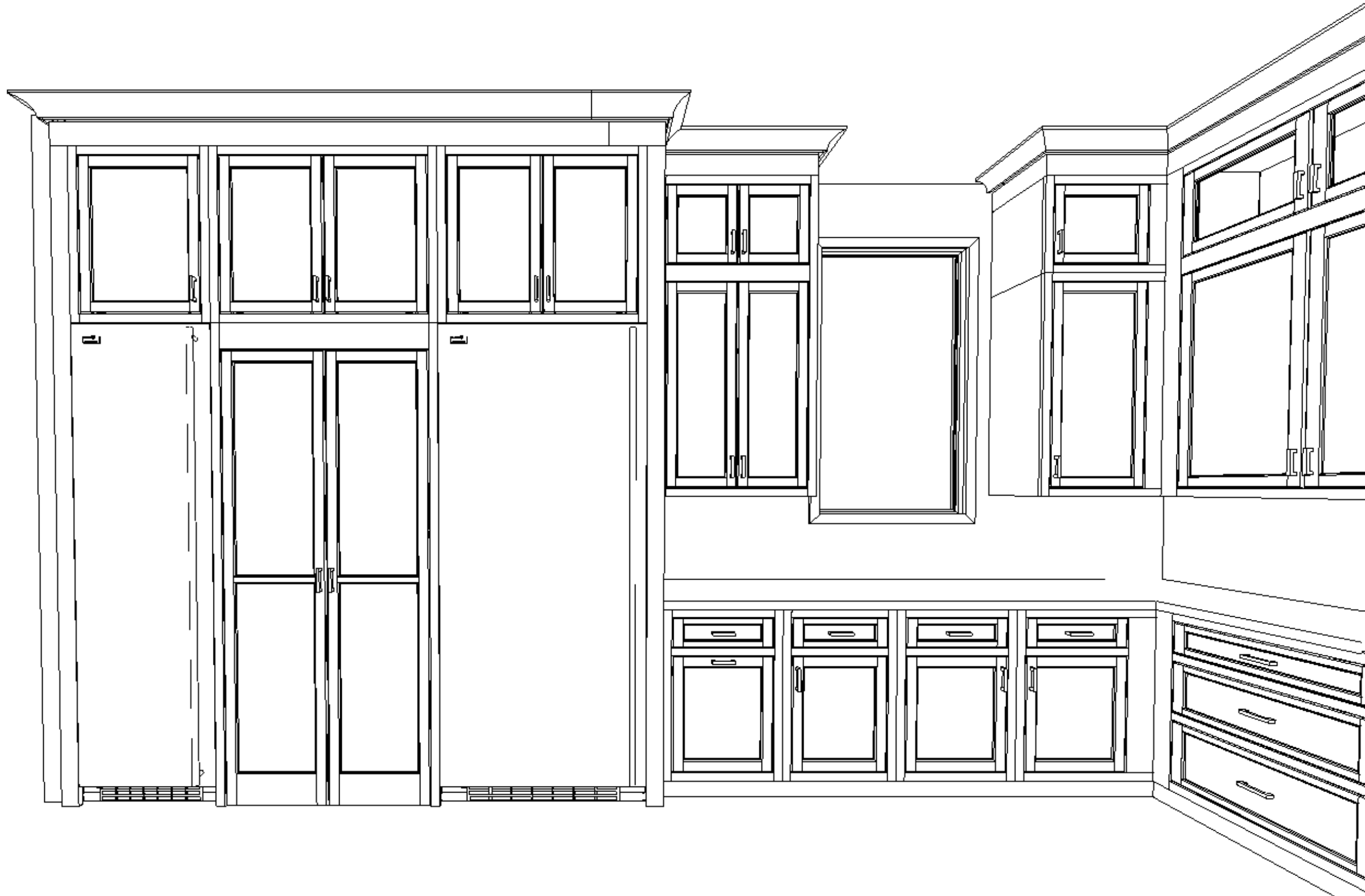
THE WOODLANDS - TX - 77380





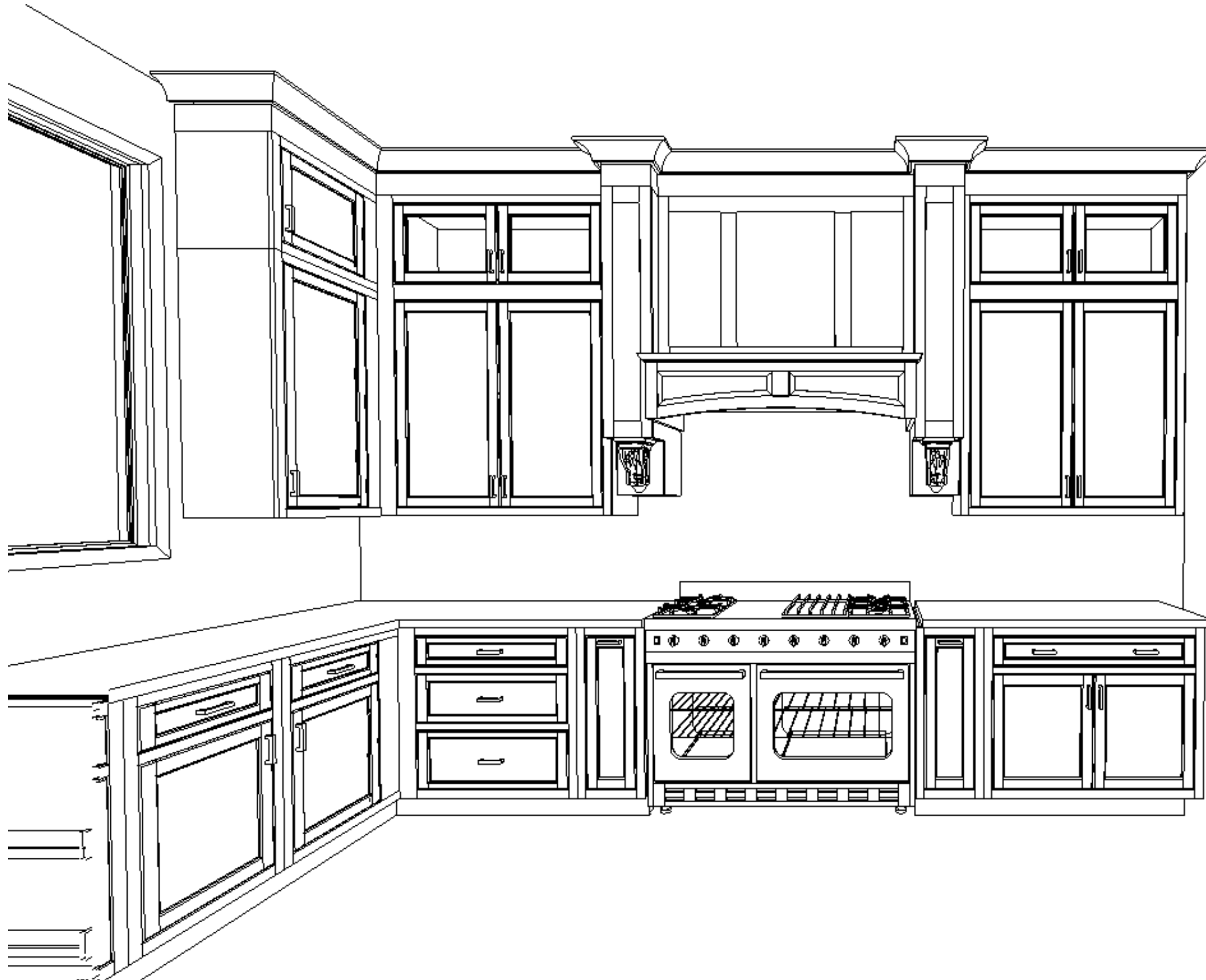
# KITCHEN - STARMARK CABINETRY

THE WOODLANDS - TX - 77380



# KITCHEN - STARMARK CABINETRY

THE WOODLANDS - TX - 77380



# KITCHEN - STARMARK CABINETRY

THE WOODLANDS - TX - 77380



# KITCHEN - STARMARK CABINETRY

THE WOODLANDS - TX - 77380

